



Purchase Order

Transaction Set **850**
Version **4010**

This document is a subset of the ANSI Standard 850, the segments contained in this document are used by HSN for ***Drop Ship*** Purchase Orders.

HSN Request that you use a ~ "7E" as a Segment terminator.

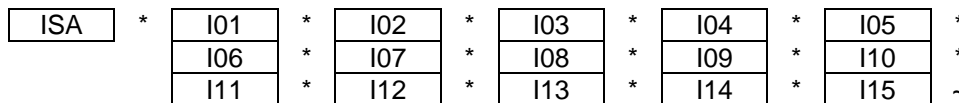
850oHS41

SEGMENT ISA - INTERCHANGE CONTROL HEADER

PURPOSE

To start and identify an interchange of one or more functional groups and interchange-related control segments.

EDI STANDARD SEGMENT



HSN SUBSET OF EDI STANDARD SEGMENT

Same as the EDI Standard Segment

ELEMENT NUMBER	ELEMENT NAME/DESCRIPTION	ELEMENT ATTRIBUTES	COMMENTS
ISA	SEGMENT IDENTIFIER		"ISA"
I01 001	AUTHORIZATION INFORMATION QUALIFIER Code to identify the type of information in the Authorization Information.	(M IS 2/2)	" 00 "
I02 002	AUTHORIZATION INFORMATION Information used for additional identification or authorization of the sender or the data in the interchange.	(M AN 10/10)	blank
I03 003	SECURITY COMMUNICATION QUALIFIER Code to identify the type of information in the Security Information.	(M ID 2/2)	" 00 "
I04 004	SECURITY INFORMATION This is used for identifying the security information about the sender of the data in the interchange.	(M AN 10/10)	blank
I05 005	INTERCHANGE ID QUALIFIER Qualifier to designate the system/method of code structure used to designate the sender or receiver ID element being qualified.	(M ID 2/2)	HSN interchange qualifier. " 01 "

850oHS41

I06 006	INTERCHANGE SENDER ID Identification code published by the sender for other parties to use as the receiver ID to route data to them. The sender always codes this number in the sender ID element.	(M ID 15/15)	HSN interchange ID. " 076902113 " "7275728585" (for HSN.com & Short Shop) "076902113T" (for testing) "7275728585T" (for Hsn.com & Short Shop) Your interchange qualifier.
I05 007	INTERCHANGE ID QUALIFIER Qualifier to designate the system/method of code structure used to designate the sender or receiver ID element being qualified.	(M ID 2/2)	Your interchange qualifier.
I07 008	INTERCHANGE RECEIVER ID Identification code published by the sender for other parties to use as the receiver ID to route data to them.	(M ID 15/15)	Your interchange ID.
I08 009	INTERCHANGE DATE Date of the interchange.	(M DT 6/6)	Interchange creation date (YYMMDD)
I09 010	INTERCHANGE TIME Time of the interchange	(M TM 4/4)	Interchange creation time. HHMM
I10 011	INTERCHANGE CONTROL STANDARDS IDENTIFIER Code to identify the agency responsible for the control standard used..	(M ID 1/1)	" U "
I11 012	INTERCHANGE CONTROL VERSION NUMBER Version number covers the interchange control segments and functional group control segments.	((M ID 5/5)	" 00401 "
I12 013	INTERCHANGE CONTROL NUMBER The number uniquely identifies the interchange data to the sender.	(M NO 9/9)	HSN sequential number
I13 014	ACKNOWLEDGMENT REQUESTED Code sent to request an interchange acknowledgment.	(M ID 1/1)	" 0 "
I14 015	TEST INDICATOR Code to indicate whether data enclosed by this interchange envelope is test or production.	(M ID 1/1)	" P " = production " T " = test
I15 016	SUBELEMENT SEPARATOR	(M AN 1/1)	" > "

850oHS41

SEGMENT GS - FUNCTION GROUP HEADING

PURPOSE

To indicate the beginning of a functional group and to provide control information.

EDI STANDARD SEGMENT

GS	*	479	*	142	*	124	*	29	*	30	*	28	*
		455	*	480	~								

HSN SUBSET OF EDI STANDARD SEGMENT

Same as the EDI Standard Segment.

ELEMENT NUMBER	ELEMENT NAME/DESCRIPTION	ELEMENT ATTRIBUTES	COMMENTS
GS	SEGMENT IDENTIFIER		"GS"
479 001	FUNCTIONAL IDENTIFIER CODE Code identifying a group of application related Transaction Sets.	(M ID 2/2)	" PO "
142 002	APPLICATION SENDER'S CODE Code identifying sending party.	(M AN 2/15)	HSN interchange ID. " 076902113 " "7275728585" (for HSN.com & Short Shop) "076902113T" (for testing) "7275728585T" (for Hsn.com & Short Shop" Your interchange ID.
124 003	APPLICATION RECEIVER'S CODE Code identifying receiving party.	(M AN 2/15)	
29 004	GROUP DATE Date sender generated a group of transaction sets.	(M DT 8/8)	System date when group was created (CCYYMMDD).
30 005	GROUP TIME Time when the sender generated a functional group of transaction sets	(M TM 4/4)	Local time when group was generated (HHMM).
28 006	GROUP CONTROL NUMBER Assigned number originated and maintained by the sender.	(M ID 1/9)	HSN sequential number
455 007	RESPONSIBLE AGENCY CODE. Code used in conjunction with Data Element 480 to identify the issuer of the standard.	(M ID 1/2)	" X " for ASC X12.

01/17/10

DROPSHIP

Page 5

850oHS41

480
008

VERSION/RELEASE/INDUSTRY
ID CODE

(M ID 1/12)

“ 004010 “

Version and release information of
the EDI standard being used.

850oHS41

SEGMENT ST - TRANSACTION SET HEADER

PURPOSE

To indicate the start of a transaction set and to assign a control number.

EDI STANDARD SEGMENT

ST	*	143	*	349	~
----	---	-----	---	-----	---

HSN SUBSET OF EDI STANDARD SEGMENT

Same as EDI Standard Segment above.

ELEMENT NUMBER	ELEMENT NAME/DESCRIPTION	ELEMENT ATTRIBUTES	COMMENTS
ST	SEGMENT IDENTIFIER		"ST"
143 001	TRANSACTION SET IDENTIFIER CODE Code uniquely identifying a transaction set.	(M AN 3/3)	"850"
329 002	TRANSACTION SET CONTROL NUMBER Identifying control number assigned by the originator for a transaction set.	(M AN 4/9)	Unique control number identifying this transmission.

850oHS41

SEGMENT BEG - BEGINNING SEGMENT FOR PURCHASE ORDER

PURPOSE

To indicate the beginning of the purchase order transaction set and transmit identifying numbers and dates.

EDI STANDARD SEGMENT

BEG	*	353	*	92	*	324	*	328	*
		323	*	367	*	587	*	1019	~

HSN SUBSET OF EDI STANDARD SEGMENT

BEG	*	353	*	92	*	324	*	328	*	323	*	367	~
-----	---	-----	---	----	---	-----	---	-----	---	-----	---	-----	---

ELEMENT NUMBER	ELEMENT NAME/DESCRIPTION	ELEMENT ATTRIBUTES	COMMENTS
BEG	SEGMENT IDENTIFIER		"BEG"
353 001	TRANSACTION SET PURPOSE CODE Code identifying purpose of transaction set.	(M ID 2/2)	" 00 "
92 002	PURCHASE ORDER TYPE CODE Code specifying the type of P O	(M ID 2/2)	" SA "
324 003	PURCHASE ORDER NUMBER Identifying number assigned by the orderer/purchaser.	(M AN 1/22)	HSN Purchase order number (Length ≤ 10)
328 004	RELEASE NUMBER Number identifying a release against a Purchase Order .	(O AN 1/30)	HSN Internal vendor number
323 005	PURCHASE ORDER DATE Date assigned by the purchased to the Purchase Order.	(M DT 8/8)	HSN Purchase order date (CCYYMMDD)
367 006	CONTRACT NUMBER	(O AN 1/30)	HSN "Bill-to" first and last name
587 007	ACKNOWLEDGMENT TYPE	(O ID 2/2)	**NOT USED**
1019 008	INVOICE TYPE CODE	(O ID 3/3)	**NOT USED**

850oHS41

SEGMENT REF - REFERENCE NUMBERS

PURPOSE

To specify identifying numbers.

EDI STANDARD SEGMENT

REF * 128 * 127 * 352 ~

HSN SUBSET OF EDI STANDARD SEGMENT

REF * 128 * 127 ~

ELEMENT NUMBER	ELEMENT NAME/DESCRIPTION	ELEMENT ATTRIBUTES	COMMENTS
REF	SEGMENT IDENTIFIER		"REF"
128 001	REFERENCE NUMBER QUALIFIER Code qualifying the reference number.	(M ID 2/3)	" IT "
127 002	REFERENCE NUMBER Reference number or identification number as defined for a particular Transaction Set. or as specified by the Reference Number Qualifier.	(C AN 1/30)	HSN Membership number
352 003	DESCRIPTION	(C AN 1/80)	Contains Personalization information for HSN.com and Short Shopping

850oHS41

SEGMENT PO1 - PO BASELINE ITEM DETAIL

PURPOSE

To specify basic and most frequently used line item data.

EDI STANDARD SEGMENT

PO1	*	350	*	330	*	355	*	212	*	639	*
		235	*	234	*	235	*	234	*	235	*
		234	*	235	*	234	*	235	*	234	*
		235	*	234	*	235	*	234	*	235	*
		234	*	235	*	234	*	235	*	234	~

HSN SUBSET OF EDI STANDARD SEGMENT

PO1	*	350	*	330	*	355	*	212	*	*
		235	*	234	*	235	*	234	*	~

ELEMENT NUMBER	ELEMENT NAME/DESCRIPTION	ELEMENT ATTRIBUTES	COMMENTS
PO1	SEGMENT IDENTIFIER		"PO1"
350 001	ASSIGNED IDENTIFICATION Alphanumeric characters assigned for differentiation within a transaction set.	(O AN 1/20)	HSN Line number (Length ≤ 2)
330 002	QUANTITY ORDERED	(C R 1/15)	HSN Item quantity (Length ≤ 3)
355 003	UNIT OF MEASUREMENT CODE Code specifying the units in which a value is being expressed.	(M ID 2/2)	"EA"
212 004	UNIT PRICE Price per unit of product.	(C R 1/17)	HSN Cost to HSN (i.e. \$25.00 = 25 \$25.45 = 25.45)
639 005	BASIS OF UNIT PRICE CODE	(O ID 2/2)	**NOT USED**
235 006	PRODUCT/SERVICE ID QUALIFIER Code identifying type of descriptive number in Product ID.	(C ID 2/2)	HSN "VN" or "UP" (qualifier)

850oHS41

234 007	PRODUCT/SERVICE ID Identifying number for a product or service.	(C AN 1/48)	HSN Vendor UPC code or vendor item number.
235 008	PRODUCT/SERVICE ID QUALIFIER Code identifying type of descriptive number in Product ID.	(M ID 2/2)	HSN " IT " (Buyer's style number qualifier)
234 009	PRODUCT/SERVICE ID Identifying number for a product..	(M AN 1/48)	HSN HSN's Item number (Length = 15 maximum)
235 010	PRODUCT/SERVICE ID QUALIFIER	(O ID 2/2)	**NOT USED**
234 011	PRODUCT/SERVICE ID	(C AN 1/30)	**NOT USED**
235 012	PRODUCT/SERVICE ID QUALIFIER	(O ID 2/2)	**NOT USED**
234 013	PRODUCT/SERVICE ID	(C AN 1/30)	**NOT USED**
235 014	PRODUCT/SERVICE ID QUALIFIER	(O ID 2/2)	**NOT USED**
234 015	PRODUCT/SERVICE ID	(C AN 1/30)	**NOT USED**
235 016	PRODUCT/SERVICE ID QUALIFIER	(O ID 2/2)	**NOT USED**
234 017	PRODUCT/SERVICE ID	(C AN 1/30)	**NOT USED**
235 018	PRODUCT/SERVICE ID QUALIFIER	(O ID 2/2)	**NOT USED**
234 019	PRODUCT/SERVICE ID	(C AN 1/30)	**NOT USED**
235 020	PRODUCT/SERVICE ID QUALIFIER	(O ID 2/2)	**NOT USED**
234 021	PRODUCT/SERVICE ID	(C AN 1/30)	**NOT USED**
235 022	PRODUCT/SERVICE ID QUALIFIER	(O ID 2/2)	**NOT USED**
234 023	PRODUCT/SERVICE ID	(C AN 1/30)	**NOT USED**
235 024	PRODUCT/SERVICE ID QUALIFIER	(O ID 2/2)	**NOT USED**
234 025	PRODUCT/SERVICE ID	(C AN 1/30)	**NOT USED**

850oHS41

SEGMENT CTP - PRICING INFORMATION

PURPOSE

To specify pricing information.

EDI STANDARD SEGMENT

CTP *

687
355

 *

236
648

 *

212
649

 *

380

 *

HSN SUBSET OF EDI STANDARD SEGMENT

CTP * *

236

 *

212

 ~

ELEMENT NUMBER	ELEMENT NAME/DESCRIPTION	ELEMENT ATTRIBUTES	COMMENTS
CTP	SEGMENT IDENTIFIER		"CTP"
687 001	CLASS OF TRADE CODE	(O ID 2/2)	**NOT USED**
236 002	PRICE IDENTIFIER CODE Code identifying pricing specification.	(O ID 3/3)	HSN " RES "
212 003	UNIT PRICE Price per unit of product, etc.	(O N2 1/17)	HSN Selling price (2 decimals implied)
380 004	QUANTITY	(O R 1/15)	**NOT USED**
355 005	UNIT OF MEASUREMENT CODE	(C ID 2/2)	**NOT USED**
648 006	PRICE MULTIPLIER QUALIFIER	(O ID 3/3)	**NOT USED**
649 007	MULTIPLIER	(C R 1/10)	**NOT USED**

850oHS41

SEGMENT PID - PRODUCT/ITEM DESCRIPTION

PURPOSE

To describe a product or process in coded or free form format.

EDI STANDARD SEGMENT

PID	*	349	*	750	*	559	*
		751	*	352	*	752	~

HSN SUBSET OF EDI STANDARD SEGMENT

PID	*	349	*	*	*	*	352	~
-----	---	-----	---	---	---	---	-----	---

ELEMENT NUMBER	ELEMENT NAME/DESCRIPTION	ELEMENT ATTRIBUTES	COMMENTS
PID	SEGMENT IDENTIFIER		"PID"
349 001	ITEM DESCRIPTION TYPE Code indicating the format of a description.	(M ID 1/1)	HSN " F "
750 002	PRODUCT/PROCESS CHARACTERISTIC CODE	(O ID 2/3)	**NOT USED**
559 003	ASSOCIATION QUALIFIER CODE	(C ID 2/2)	**NOT USED**
751 004	PRODUCT DESCRIPTION CODE	(C AN 1/12)	**NOT USED**
352 005	DESCRIPTION A free form description to clarify the related data elements and their content.	(C AN 1/80)	HSN Item description (Max length = 40)
752 006	SURFACE/LAYER/POSITION CODE	(O ID 2/2)	**NOT USED**

850oHS41

SEGMENT SAC - ALLOWANCE, CHARGE, OR SERVICE

PURPOSE

To specify allowances, charges or services.

EDI STANDARD SEGMENT

SAC	*	248	*	1300	*	559	*	1301	*	610	*
		378	*	332	*	118	*	355	*	380	*
		380	*	331	*	127	*	770	*	352	~

HSN SUBSET OF EDI STANDARD SEGMENT

SAC	*	248	*	1300	*	*	*	610	*	*	*	*	*	*	*
	*	380	*	*	*	352	~								

ELEMENT NUMBER	ELEMENT NAME/DESCRIPTION	ELEMENT ATTRIBUTES	COMMENTS
SAC 248 001	SEGMENT IDENTIFIER ALLOWANCE/CHARGE INDICATOR Code which indicates an allowance or charge for the service specified.	(M ID 1/1)	"SAC" HSN "C"
1300 002	SERVICE,PROMOTION,ALLOW CHARGE CODE	(M ID 4/4)	HSN "G830" = Postage/handling "H850" = Tax "C310" = Item discount "I131" = Total order amount
559 003	AGENCY QUALIFIER CODE	(C ID 2/10)	**NOT USED**
1301 004	AGENCY SERVICE, PROMOTION, ALLOWANCE, or CHARGE CODE Code indicating method of handling for an allowance or charge.	(C ID 2/10)	**NOT USED**
610 005	ALLOWANCE/CHARGE TOTAL AMOUNT Total dollar amount for the allowance or charge.	(O N2 1/15)	HSN Total of charges (2 decimals implied)
378 006	ALLOWANCE/CHARGE PERCENT QUALIFIER	(O R 1/9)	**NOT USED**
332 007	PERCENT	(O N2 1/9)	**NOT USED**
118 008	RATE	(O ID 1/1)	**NOT USED**

NOTE REGARDING THE COMMENTS FIELD: Actual values are contained within quotes

850oHS41

355	UOM CODE	(C R 1/6)	**NOT USED**
009			
380	QUANTITY	(O R 1/10)	**NOT USED**
010			
380	QUANTITY	(O R 1/10)	**NOT USED**
011			
380	ALLOWANCE/CHARGE	(O ID 2/2)	HSN
012	METHOD OF HANDLING CODE		" 06 "
	Code indicating method of handling for an allowance or charge.		(Charge to be paid by customer)
352	REFERENCE IDENTIFICATION	(C AN 1/30)	**NOT USED**
013			
150	OPTION NUMBER	(O AN 1/20)	**NOT USED**
014			
352	DESCRIPTION	(C AN 1/80)	If SAC02 = "1131", then this indicates method of payment:
015	Free form description to clarify the related data elements and their content.		"CC" = Credit Card "CK" = Check

850oHS41

SEGMENT TD5 - CARRIER DETAILS (ROUTING SEQUENCE)

PURPOSE

To specify the carrier, sequence of routing and to provide transit time information.

EDI STANDARD SEGMENT

TD5	*	133	*	66	*	67	*	91	*	387	*
		368	*	309	*	310	*	731	*	732	*
		733	~								

HSN SUBSET OF EDI STANDARD SEGMENT

TD5	*	*	*	67	*	*	387	~
-----	---	---	---	----	---	---	-----	---

ELEMENT NUMBER	ELEMENT NAME/DESCRIPTION	ELEMENT ATTRIBUTES	COMMENTS
TD5	SEGMENT IDENTIFIER		"TD5"
133 001	ROUTING SEQUENCE CODE	(O ID 1/2)	**NOT USED**
66 002	IDENTIFICATION CODE QUALIFIER	(C ID 1/2)	**NOT USED**
67 003	IDENTIFICATION CODE Code identifying a party or other code.	(C AN 2/8)	'10' or '20'
91 004	TRANSPORTATION METHOD/TYPE CODE	(C ID 1/2)	**NOT USED**
387 005	ROUTING Free form description of the routing or requested routing for shipment, or the originating carrier's identity.	(C AN 1/35)	"GROUND" or "AIR"
368 006	SHIPMENT/ORDER STATUS CODE	(C ID 2/2)	**NOT USED**

NOTE REGARDING THE COMMENTS FIELD: Actual values are contained within quotes

01/17/10

DROPSHIP

Page 16

850oHS41

3009	LOCATION QUALIFIER	(O ID 1/2)	**NOT USED**
007			
310	LOCATION IDENTIFIER	(C AN 1/25)	**NOT USED**
008			
731	TRANSIT DIRECTION CODE	(O ID 2/2)	**NOT USED**
009			
732	TRANSIT TIME DIRECTION	(O ID 2/2)	**NOT USED**
010	QUALIFIER		
733	TRANSIT TIME	(C R 1/4)	**NOT USED**
011			
284	SERVICE LEVEL CODE	(C ID 2/2)	**NOT USED**
012	\		

850oHS41

SEGMENT N1 - NAME

PURPOSE

To identify a party by type of organization, name and code.

EDI STANDARD SEGMENT

N1 * 98 * 93 * 66 * 67 ~

HSN SUBSET OF EDI STANDARD SEGMENT

N1 * 98 * 93 ~

ELEMENT NUMBER	ELEMENT NAME/DESCRIPTION	ELEMENT ATTRIBUTES	COMMENTS
N1	SEGMENT IDENTIFIER		"N1"
98 001	ENTITY IDENTIFIER CODE Code identifying an organizational entity, a physical location, or an individual.	(M ID 2/3)	" ST "
93 002	NAME Free form name.	(C AN 1/60)	HSN First and Last name of person receiving the shipment
66 003	IDENTIFICATION CODE QUALIFIER	(C AN 2/4)	**NOT USED**
67 004	IDENTIFICATION CODE	(C ID 2/4)	**NOT USED**

850oHS41

SEGMENT N3 - ADDRESS INFORMATION

PURPOSE

To specify the location of the named party.

EDI STANDARD SEGMENT

N3	*	166	*	166	~
----	---	-----	---	-----	---

HSN SUBSET OF EDI STANDARD SEGMENT

Same as EDI Standard Segment.

ELEMENT NUMBER	ELEMENT NAME/DESCRIPTION	ELEMENT ATTRIBUTES	COMMENTS
N3	SEGMENT IDENTIFIER		"N3"
166 001	ADDRESS INFORMATION Address information.	(M AN 1/55)	HSN Address line 1 of the person receiving the shipment.
166 002	ADDRESS INFORMATION Address information.	(O AN 1/55)	HSN Address line 2 of the person receiving the shipment.

850oHS41

SEGMENT N4 - GEOGRAPHIC INFORMATION

PURPOSE

To specify the geographic location of the named party.

EDI STANDARD SEGMENT

N4	*	19	*	156	*	116	*
		26	*	309	*	310	~

HSN SUBSET OF EDI STANDARD SEGMENT

N4	*	19	*	156	*	116	~
----	---	----	---	-----	---	-----	---

ELEMENT NUMBER	ELEMENT NAME/DESCRIPTION	ELEMENT ATTRIBUTES	COMMENTS
N4	SEGMENT IDENTIFIER		"N4"
19 001	CITY NAME Free form text for city name.	(C AN 2/30)	HSN receiving party's city
156 002	STATE OR PROVINCE CODE Code as defined by appropriate gov't agency.	(O ID 2/2)	HSN receiving party's state
116 003	POSTAL CODE Code defining postal zone code (zip code for the United States).	(O ID 3/15)	HSN receiving party's zip code
26 004	COUNTRY CODE	(O ID 2/3)	Only if International Order
309 005	LOCATION QUALIFIER	(C ID 1/2)	"ZZ"
310 006	LOCATION IDENTIFIER	(C AN 1/30)	telephone number of person purchasing item

850oHS41

SEGMENT CTT - TRANSACTION TOTALS

PURPOSE

To transmit a hash total for a specific element in the transaction set.

EDI STANDARD SEGMENT

CTT * 354 * 347 * 81 *
355 * 183 * 355 * 352 ~

HSN SUBSET OF EDI STANDARD SEGMENT

CTT * 354 * 347 ~

ELEMENT NUMBER	ELEMENT NAME/DESCRIPTION	ELEMENT ATTRIBUTES	COMMENTS
CTT	SEGMENT IDENTIFIER		"CTT"
354 001	NUMBER OF LINE ITEMS Total number of line items in the transaction set.	(M NO 1/6)	Total number of line items in the transaction.
347 002	HASH TOTAL Sum of totals of the specified data element.	(O R 1/10)	Total number of line items in the transaction.
81 003	WEIGHT	(O R 1/10)	**NOT USED**
355 004	UNIT OF MEASUREMENT CODE	(C ID 2/2)	**NOT USED**
183 005	VOLUME	(O R 1/8)	**NOT USED**
355 006	UNIT OF MEASUREMENT CODE	(C ID 2/2)	**NOT USED**
352 007	DESCRIPTION	(O AN 1/80)	**NOT USED**

850oHS41

SEGMENT SE - TRANSACTION SET TRAILER

PURPOSE

To indicate the end of the transaction set and provide the count of the transmitted segments (including the beginning (ST) and the ending (SE) segments).

EDI STANDARD SEGMENT

SE * 96 * 329 ~

HSN SUBSET OF EDI STANDARD SEGMENT

Same as the EDI Standard Segment.

ELEMENT NUMBER	ELEMENT NAME/DESCRIPTION	ELEMENT ATTRIBUTES	COMMENTS
SE	SEGMENT IDENTIFIER		"SE"
96 001	NUMBER OF INCLUDED SEGMENTS Total number of segments included in a transaction set including ST and SE segments.	(M N0 1/6)	Number of segments
329 002	TRANSACTION SET CONTROL NUMBER Identifying control number that must be unique within the transaction set functional group assigned by the originator for a transaction set.	(M AN 4/9)	HSN Our sequential number

850oHS41

SEGMENT GE - FUNCTIONAL GROUP TRAILER

PURPOSE

To indicate the end of a functional group and to provide control.

EDI STANDARD SEGMENT

GE	*	97	*	28	~
----	---	----	---	----	---

HSN SUBSET OF EDI STANDARD SEGMENT

Same as EDI Standard Segment

ELEMENT NUMBER	ELEMENT NAME/DESCRIPTION	ELEMENT ATTRIBUTES	COMMENTS
GE	SEGMENT IDENTIFIER		" GE "
97 001	NUMBER OF TRANSACTION SETS INCLUDED. Count of ST segments within the Group.	(M NO 1/6)	Total number of transaction sets included in the GS - GE group.
28 002	GROUP CONTROL NUMBER Assigned number originated and maintained by the sender.	(M NO 1/9)	Same number as in GS segment (data element 06)

850oHS41

SEGMENT IEA - INTERCHANGE CONTROL TRAILER

PURPOSE

To define the end of an interchange of one or more functional groups and interchange-related control segments.

EDI STANDARD SEGMENT

IEA * I16 * I12 ~

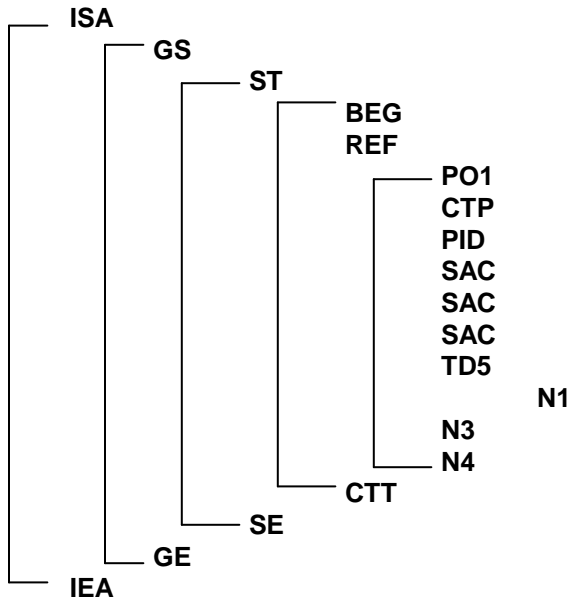
HSN SUBSET OF EDI STANDARD SEGMENT

Same as EDI Standard Segment.

ELEMENT NUMBER	ELEMENT NAME/DESCRIPTION	ELEMENT ATTRIBUTES	COMMENTS
IEA	SEGMENT IDENTIFIER		" IEA "
I16 001	NUMBER OF INCLUDED FUNCTIONAL GROUPS A count of the number of included groups included in a transmission.	(M NO 1/5)	Count of the GS segments in the transmission.
I12 002	INTERCHANGE CONTROL NUMBER Number that uniquely identifies the interchange data. It is assigned by the sender.	(M NO 9/9)	Same number as in the ISA segment (data element 13)

850oHS41

TRANSACTION LAYOUT



850oHS41

SAMPLE TRANSACTION

ISA*00* *00* *01*076902113 *01*060530144
*000502*0219*U*00401*000013022*0*P*>
GS*PO*076902113*060530144*20000502*0219*000014195*X*004010
ST*850*0001
BEG*00*SA*425912763*023887*20000501
REF*IT*542773239
PO1**1*EA*54**VN*1200USB*IT*106156
CTP**RES*8950
PID*F****Sample 48 Bit Color Scanner
SAC*C*H850***829*****06
SAC*C*G830***1095*****06
SAC*C*I131***10874*****06***CK
TD5***10**GROUND
N1*ST*MELINDA A SMITH
N3*1388 RIDGE RD
N4*DUNLAP*TN*373275011**ZZ*4239492872
CTT*1
SE*15*0001
ST*850*0002
BEG*00*SA*425945407*023887*20000501
REF*IT*542184684
PO1**1*EA*54**VN*1200USB*IT*106156
CTP**RES*8950
PID*F****Sample 48 Bit Color Scanner
SAC*C*H850***824*****06
SAC*C*G830***1095*****06
SAC*C*I131***10869*****06***CK
TD5***10**GROUND
N1*ST*PATRICIA JONES
N3*E52*351 PALMIRA DR
N4*BREMER*WA*983103564**ZZ*3604795561
CTT*1
SE*15*0002
ST*850*0003
BEG*00*SA*426742519*023887*20000501*DOUG W CHIS
REF*IT*000000000
PO1**1*EA*71**VN*BEARPAW*IT*175831
CTP**RES*0
PID*F****Sample 48 BIT BEARPAW SCANNER
SAC*C*I131***0*****06***CC
TD5***10**GROUND
N1*ST*DOUG W CHIS
N3*59211 STANHOPE AVE
N4*CARMICHAEL*CA*956083803**ZZ*9163663741
CTT*1
SE*13*0003
ST*850*0004
BEG*00*SA*426742709*023887*20000501*TERRINA Y YELLERSON
REF*IT*000000000
PO1**1*EA*71**VN*BEARPAW*IT*175831
CTP**RES*0
PID*F****Sample 48 BIT BEARPAW SCANNER
SAC*C*I131***0*****06***CC
TD5***10**GROUND
N1*ST*TERRINA YELLERSON
N3*93 S 21ST ST*APT 34
N4*CHAMPAIGN*IL*618206072**ZZ*7736600807
CTT*1
SE*13*0004
GE*4*00014195
IEA*1*000013022

850oHS41